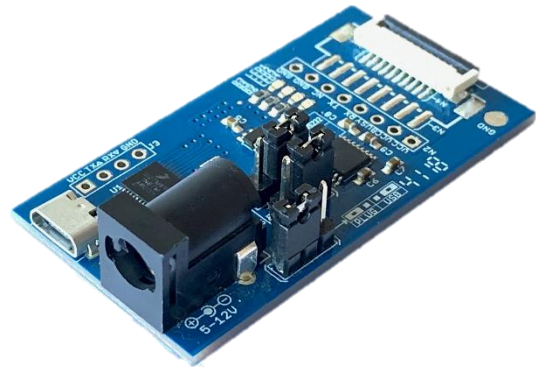


PAB_02V01

USB Communication Adaptor



Description

Proculus Accessory Board Model 02 (PAB_02) is a USB↔UART converter. It's used to connect a Proculus LCM into a computer, primarily for development and debugging purposes.

PAB_02 is provided in different variants, each with the adequate connectors for your application.

Note: PAB_02 must be used with **UnicView Terminal** software provided by Proculus Technologies.

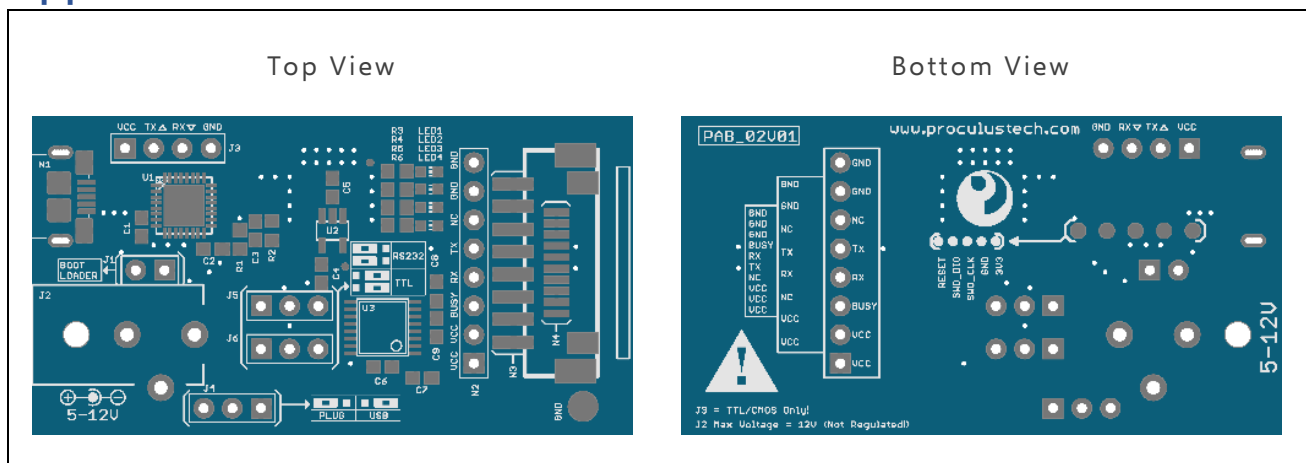
Features

- Selectable LCM power supply.
- Compatible with RS232 and TTL/CMOS levels.
- Updateable firmware.
- Fully compatible with UnicView Terminal software.
- Orderable in several different connector options.
- Uses USB HID (not a virtual COM).

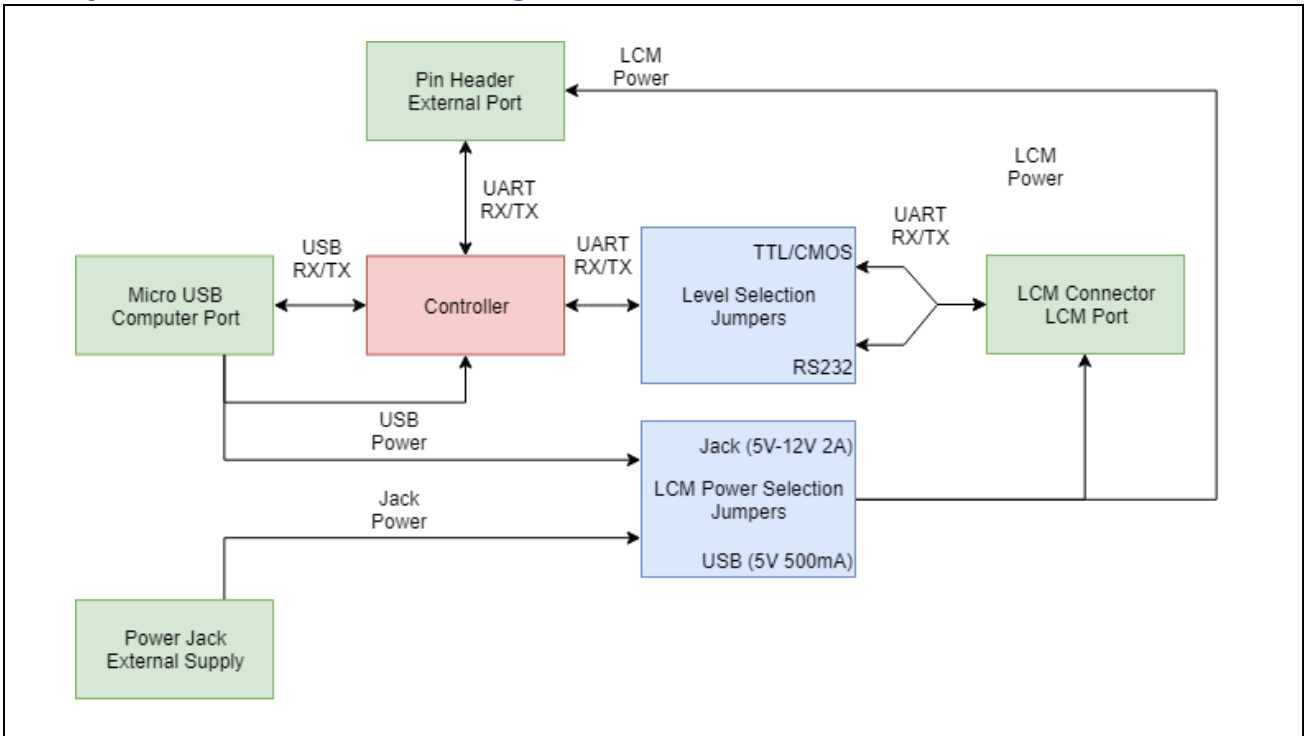
Applications

- Prototyping and testing.
- Development.

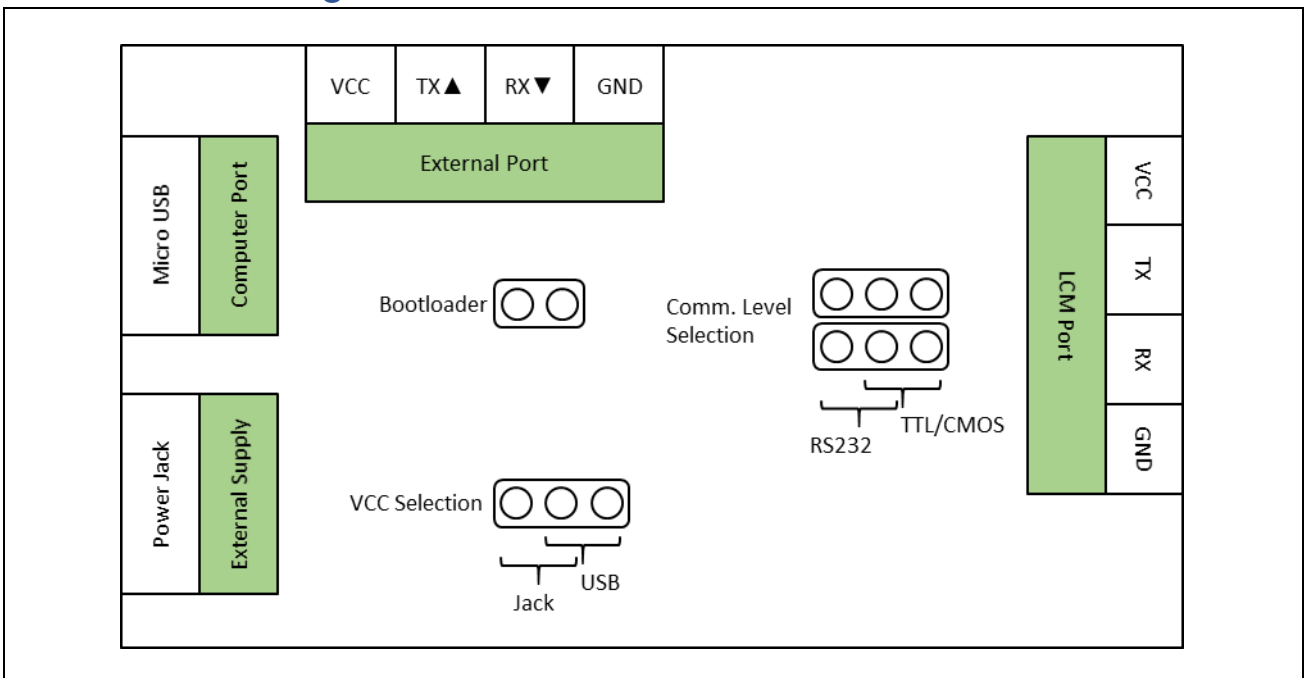
Appearance



Simplified Electrical Diagram



Connection Diagram



Pinout

N2, N3 and N4 Connectors Signal Description

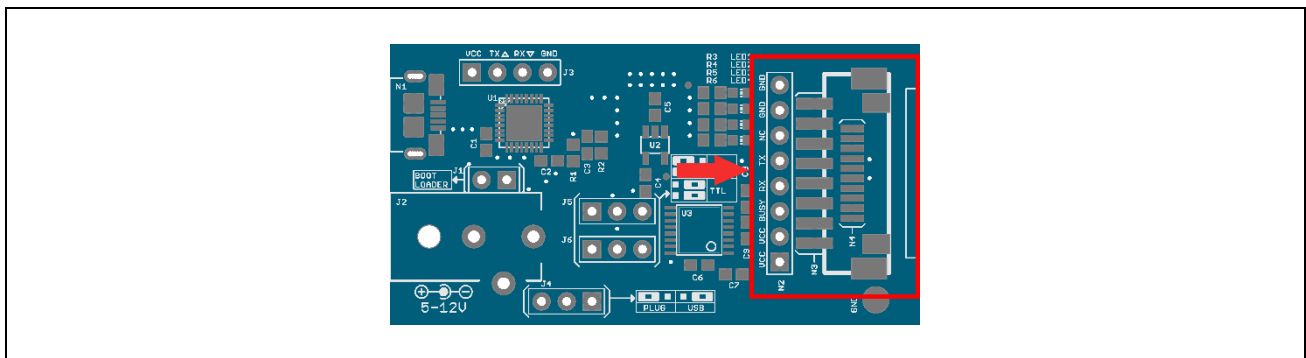
These connectors compose the **LCM Port**. Only one type of connector is usually soldered.

Signal	Details
VCC⁽¹⁾	LCM Supply Voltage
GND	Common Supply Ground
TX⁽²⁾⁽³⁾	TX (from the board). Connects to the LCM's RX
RX⁽²⁾⁽³⁾	RX (from the board). Connects to the LCM's TX
NC	Not Connected. Do not use this pin
BUSY	Not used on AD LCMs. Do not use this pin

Note 1: From USB (5V) or external power supply (5V - 12V). See section "Power Supply" for more information.

Note 2: Supports **RS232** or **TTL/CMOS** levels. See section "Jumper Description" for more information.

Note 3: See section "Serial Communication" for more information on UART connections.



N4 - FFC (Flat Flexible Cable) Connector

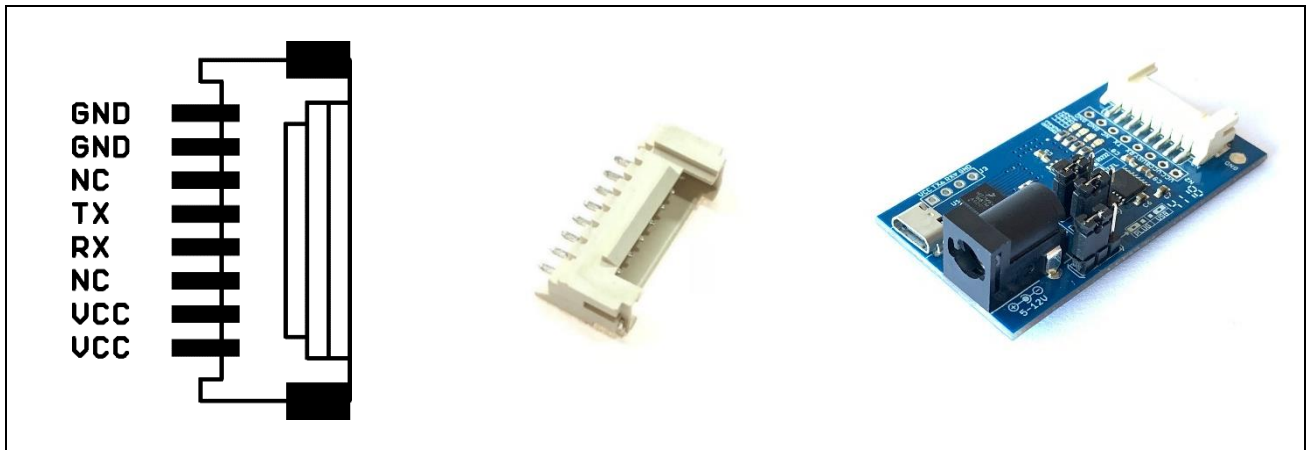


Caution

The FFC Cable contacts should be facing down (towards the board), with the blue tape facing up (away from the board).



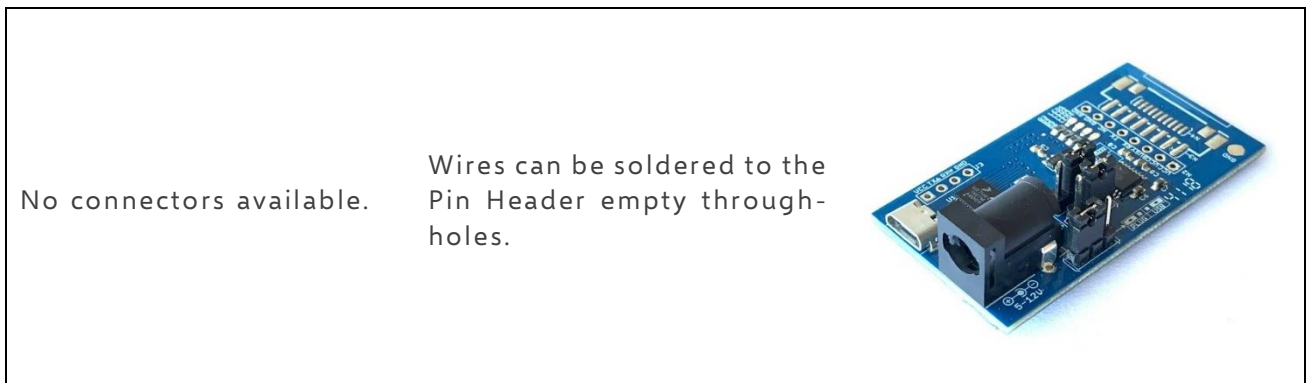
N3 - Ribbon Connector



N2 - Pin Header Connector



No Connector



J3 Header Signal Description

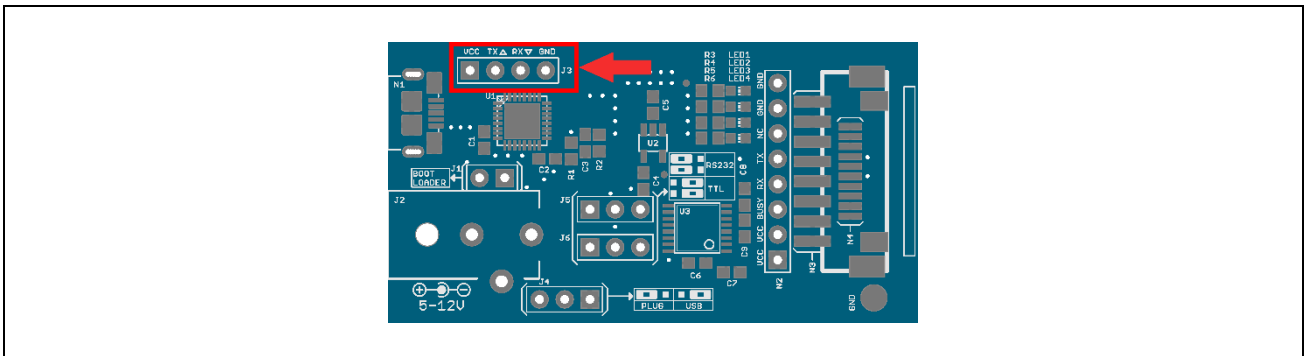
This connector is the **External Port**. You can solder wires or pin headers and connect an external circuit to the PAB_02 board.

Signal	Details
VCC ⁽⁴⁾	LCM Supply Voltage
GND	Common Supply Ground
TX▲ ⁽⁵⁾⁽⁶⁾	TX (from the board). Connects to external circuit RX
RX▼ ⁽⁵⁾⁽⁶⁾	RX (from the board). Connects to external circuit TX

Note 4: From USB (5V) or external power supply (5V - 12V). See section "Power Supply" for more information.

Note 5: Supports **TTL/CMOS** levels only.

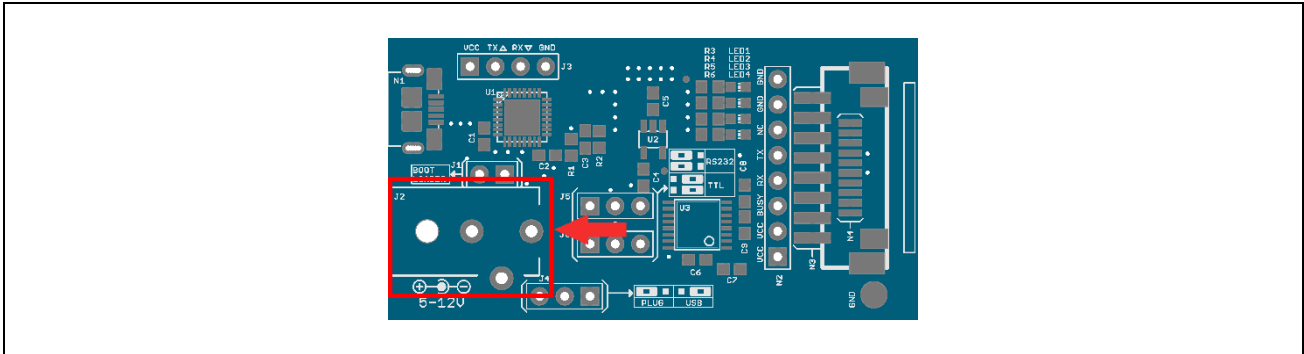
Note 6: See section "Serial Communication" for more information on UART connections.



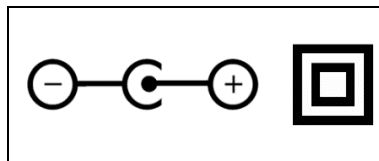
Power Jack

External power supply plug for the LCM. Used to supply voltage to the LCM when **more than 5V or 200mA** is required to power the LCM.

Voltage range: 5V to 12V (please verify your LCM's supply voltage before connecting the power).



This connector is a center positive J4 Jack. Please only use insulated and center positive power supplies, identified by these symbols:

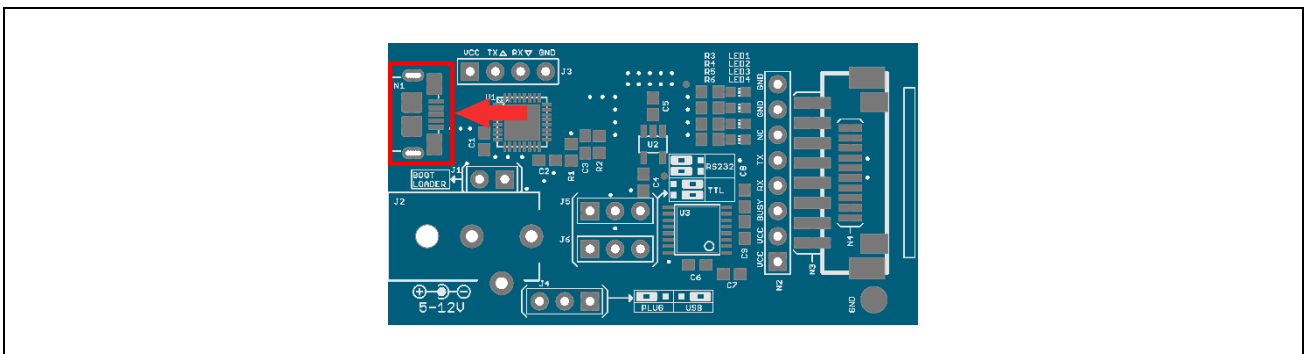


Warning

Verify the correct LCM power supply voltage before turning the power on.

Micro USB

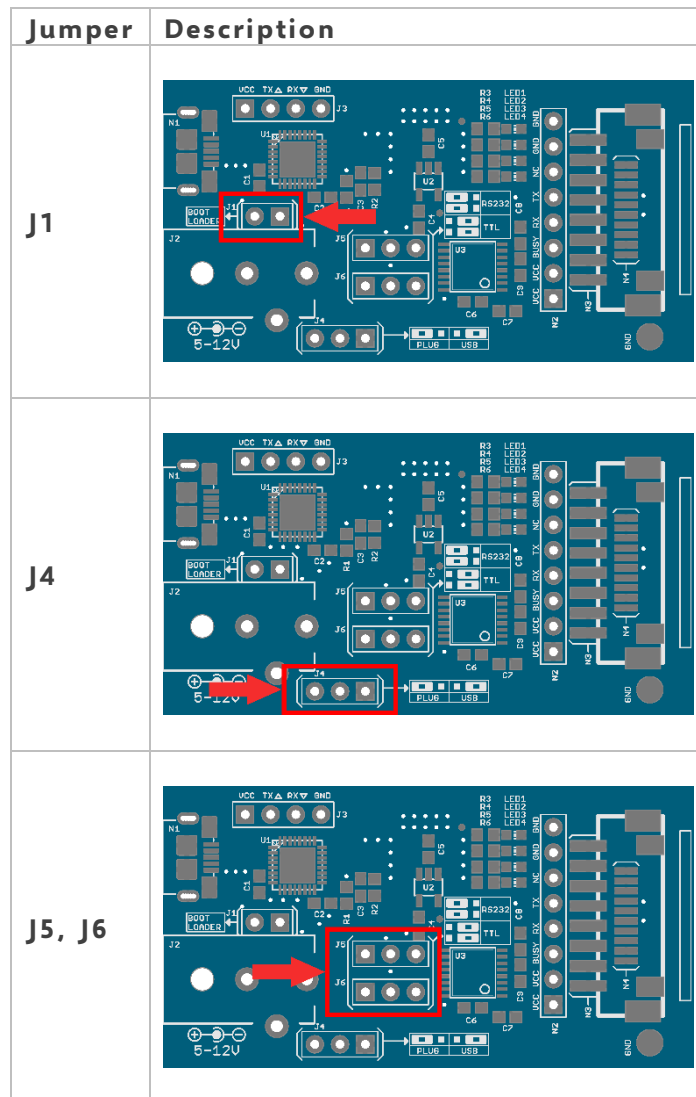
This is the **Computer Port**. It is a client USB port for connection to a computer. Can supply power to the LCM when **5V and less than 200mA** are required to power the LCM. Please use only certified USB cables.



Jumper Description

This table describes all the jumper selectors on the PAB_02:

Jumper	Description	Usage
J1	Bootloader enable	Short-circuit its two pins before powering PAB_02 to enter Bootloader mode
J4	LCM Power Supply selection (VCC signal). See section "Power Supply" for more information.	Left position: LCM is powered from the external power supply (plug) Right position: LCM is powered from the Micro USB port
J5, J6	LCM Communication Electrical Level selection (TX and RX signals)	Left position: LCM communication level is RS232 Right position: LCM communication level is TTL/CMOS



Serial Communication

The PAB_02 board has 3 connection points, called **Ports**. Each Port has different communication and power supply capabilities:

Port	Description	Details
Computer Port	HID USB communications with the computer	UnicView Terminal software needed for USB communication
LCM Port	UART communications with the LCM	<ul style="list-style-type: none"> • TTL/CMOS or RS232 (selectable). • The communication level and power supply should match the LCM connected to this Port.
External Port	UART communications with external circuitry	<ul style="list-style-type: none"> • TTL/CMOS only. • Commonly used for debugging and sniffing purposes.

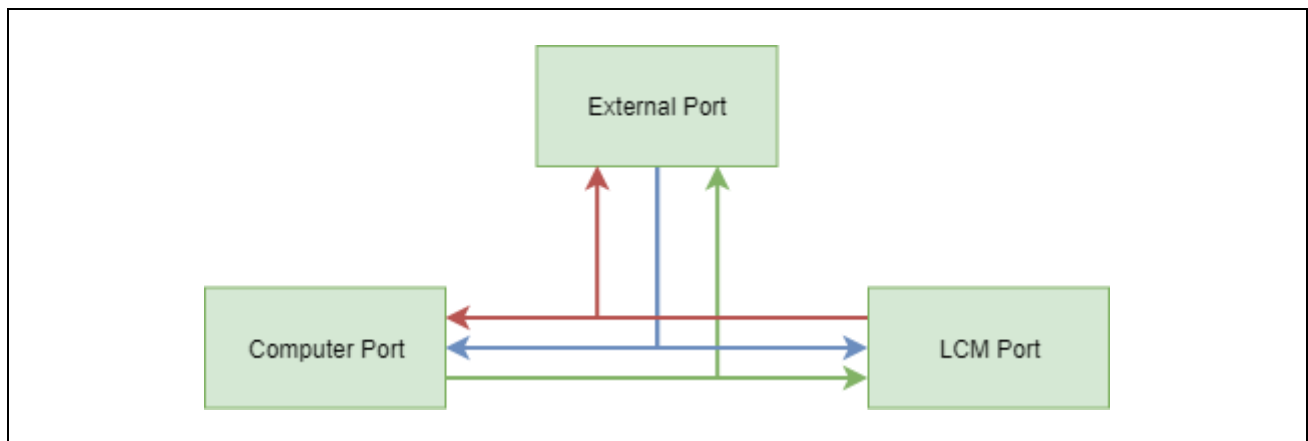
Info Maximum baudrate: **921600**bps.



For baudrates greater than 500kbps, **receiving** data in LCM Port and Computer Port uninterruptedly may cause data loss.

Both the LCM Port and the External Port operate at the same baudrate.

When a Port receives a new serial message, it always sends it to the other two Ports, as illustrated in the following diagram:



For example, if the computer sends a message to the board (through the **Computer Port**), the message is sent to the **External Port** and to the **LCM Port**.

Power Supply

The PAB_02 board is powered from the Micro USB port (5V). The LCM connected to PAB_02 can be powered either from the Micro USB port or from the Power Jack (using an external power supply).



Caution

Never connect the **VCC signal** on the **Header J3** if the **jumper J4** is in the **USB** (right) position.

Jumper J4 Position	VCC Signal	Voltage Range	Max Current
USB (right)	Connected USB 5V voltage	5V	200mA
PLUG (left)	Connected to external power supply from Jack	5V to 12V	2000mA



Warning

Verify the correct LCM power supply voltage before turning the power on.

LED Indicators

PAB_02 has 4 LED status indicators:

LED	Function
1	Blinking red when PAB_02 is powered-on
2	Toggles when a message is received (RX) from external circuitry (J3)
3	Toggles when a message is received (RX) from the LCM (N2, N3 or N4)
4	Toggles when a message is sent from the PC (TX)

Updating the firmware (Bootloader mode)

UnicView Terminal can update PAB_02 in a fully automated mode. If, however, the PAB_02 firmware is corrupt and UnicView Terminal can't update the board, you can force it to enter Bootloader mode to flash the firmware manually.

To enter Bootloader mode:

1. Power PAB_02 **off**.
2. Short-circuit **J1** (using tweezers, for example).
3. Power PAB_02 **on**.

PAB_02 will remain in Bootloader mode until a new firmware is flashed or until it resets. The board will reset 5 seconds after a successful firmware update.

Typical Applications

PAB_02 is commonly used to:

- Connect an LCM to a computer for development and debugging.
- Provide power to an LCM without a controlling board.
- RS232 to TTL/CMOS converter between the External Port (TTL/CMOS) and the LCM Port (RS232).

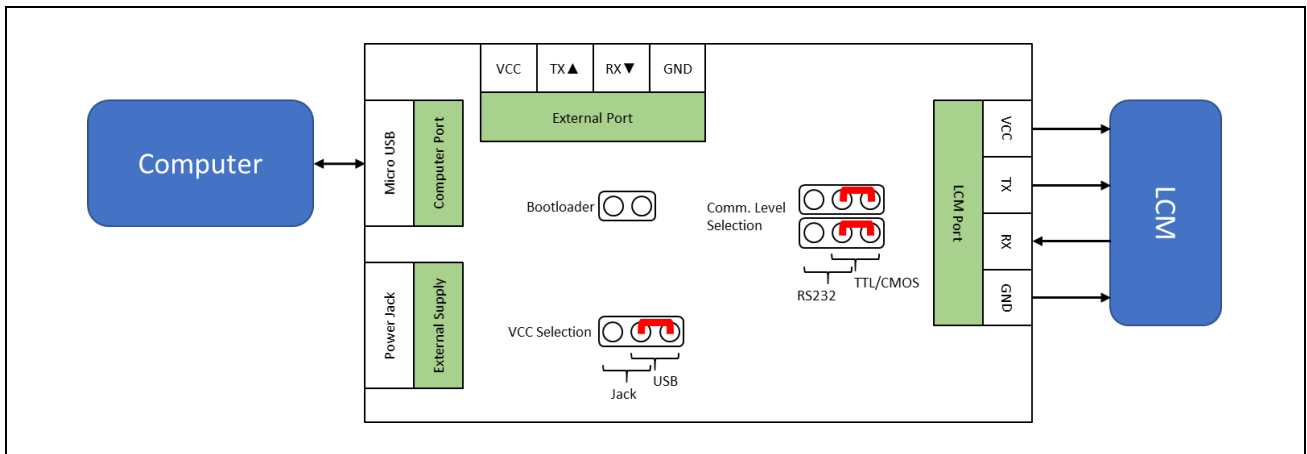
Note

PAB_02 is provided *as is* and doesn't necessarily comply to any certifications or standards. As such, we recommend PAB_02 to be used **only for development purposes**.

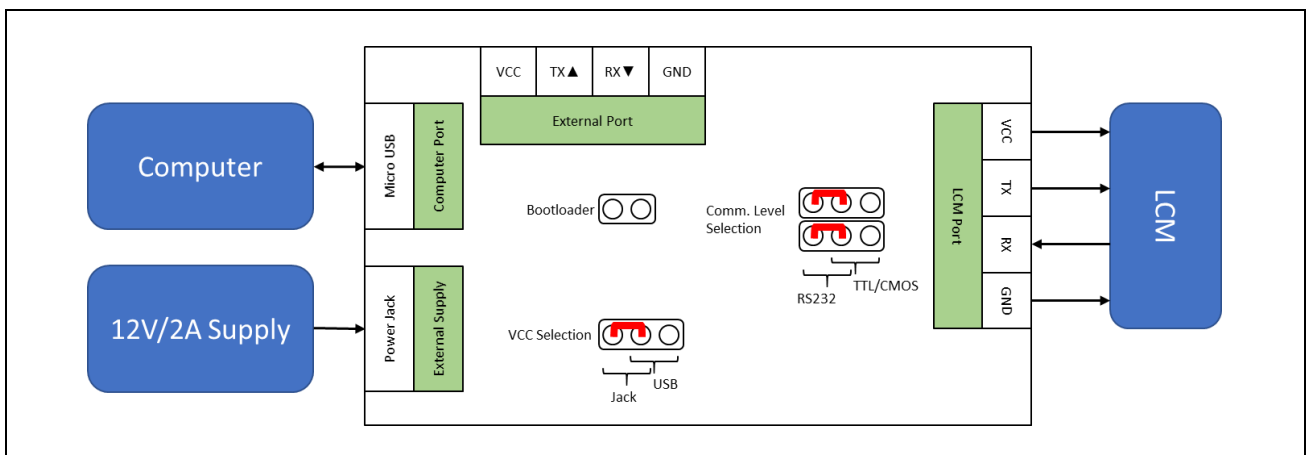
Examples

Using as PC to LCM communication tool

LCM specifications: 5V, 200mA, TTL/CMOS.

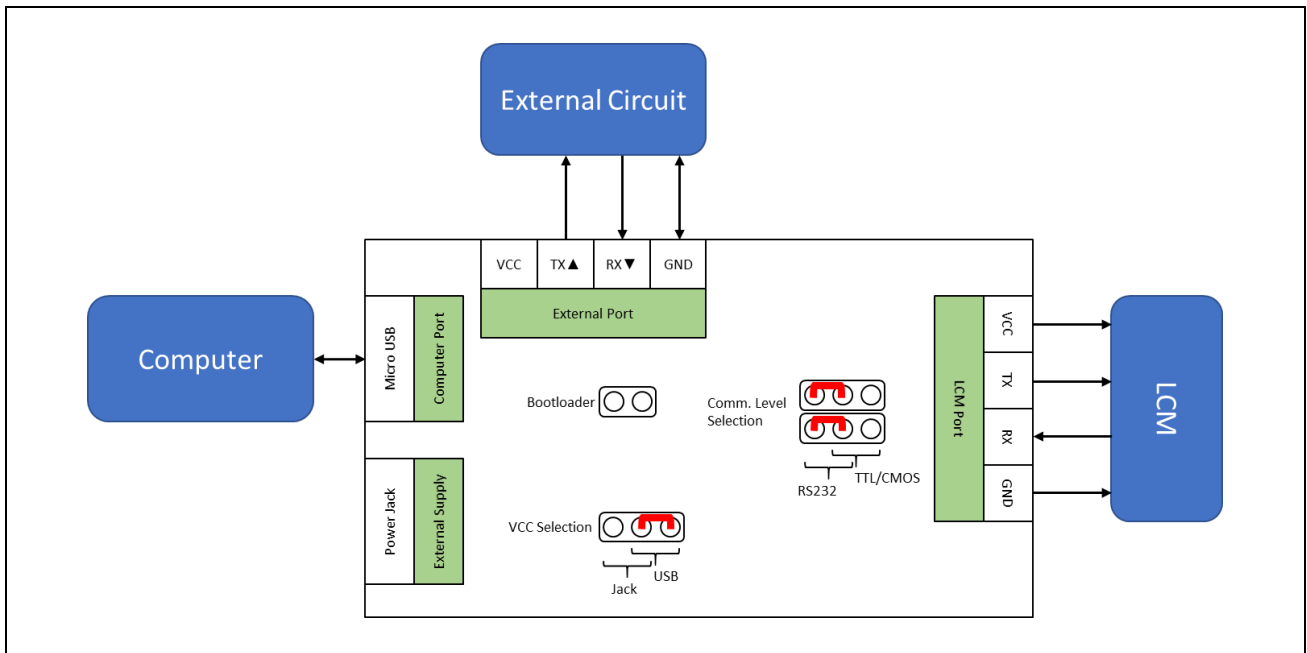


LCM specifications: 12V, 700mA, RS232.



Using as RS232 to TTL/CMOS converter

LCM specifications: 5V, 200mA, RS232.



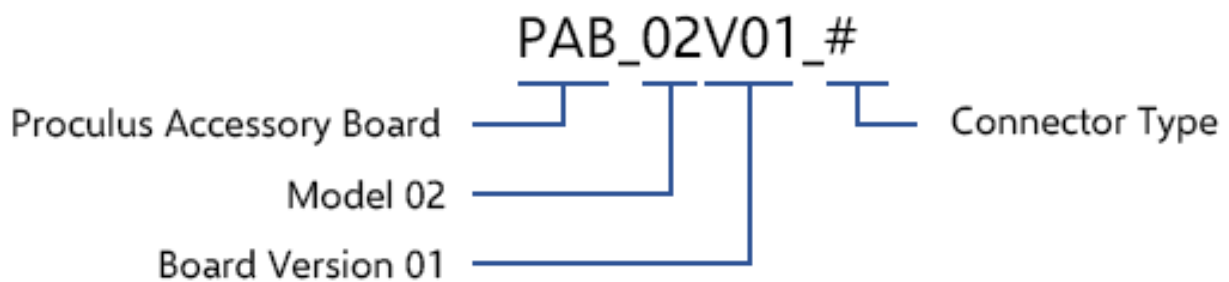
Ordering Information

Connector Types

The following table describes the available connectors and their respective symbols.

Connector	Symbol	Details
FFC (Flat Flexible Cable) Connector	F	10-pin, 1.0 mm pitch, Dual contact
Ribbon Cable Connector	R	8-pin, 2.0 mm pitch
Pin Header	P	8-pin, 2.56 mm pitch, Straight
No Connector	N	None

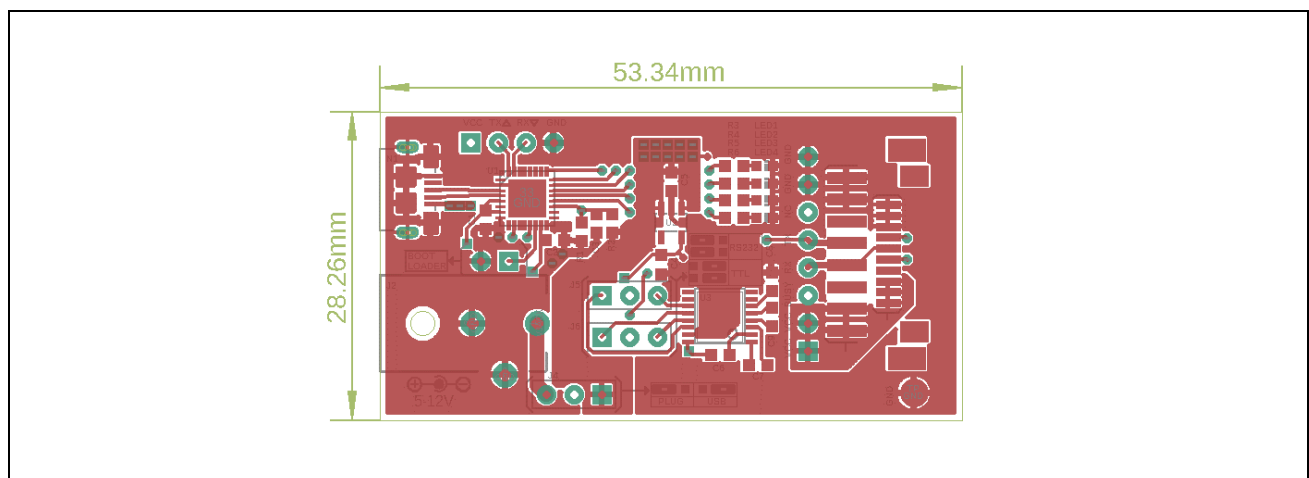
Part Number Selection



You can order PAB_02 in any configuration of pre-assembled connector types. The following table lists part numbers all available configurations:

Connector Type	Connector
PAB_02V01_F	FFC
PAB_02V01_R	Ribbon
PAB_02V01_P	Pin Header
PAB_02V01_N	No Connector

Mechanical Information



Dimensions are given in millimeters.

Revision History

Revision Number	Revision Date	Description	Pages Changed
1	July 2019	Initial release.	-

IMPORTANT NOTICE

Proculus Technologies and its subsidiaries and partners reserve the right to make corrections, modifications, enhancements, improvements, and other changes to its products and services at any time and to discontinue any product or service without notice. Customers should obtain the latest relevant information before placing orders and should verify that such information is current and complete. All products are sold subject to Proculus' terms and conditions of sale supplied at the time of order acknowledgment.

The contents of this document are subject to change without notice. All technical information in this document is for reference purposes only. System configurations and specifications in this document supersede all previous information received by the purchaser.

Proculus Technologies makes no representations that this document is complete, accurate or error-free and assumes no responsibility and will not be liable for any errors, omissions, damage or loss that might result from any use of this document, even if the information in the document is followed properly.

Reproduction of information in Proculus Technologies documents or data sheets is permissible only if reproduction is without alteration and is accompanied by all associated warranties, conditions, limitations, and notices. Reproduction of this information with alteration is an unfair and deceptive business practice. Proculus Technologies is not responsible or liable for such altered documentation.

Proculus Technologies does not warrant or accept any liability whatsoever in respect of any products purchased through unauthorized sales channel.

Should customers purchase or use Proculus Technologies products for any unintended or unauthorized application, customers shall indemnify and hold Proculus Technologies and its representatives harmless against all claims, damages, expenses, and attorney fees arising out of, directly or indirectly, any claim of personal injury or death associated with such unintended or unauthorized application.

This document is not part of any sales contract between Proculus Technologies and a purchaser. This document shall in no way govern or modify any Terms and Conditions of Sale, which Terms and Conditions of Sale shall govern all conflicting information between the two documents.